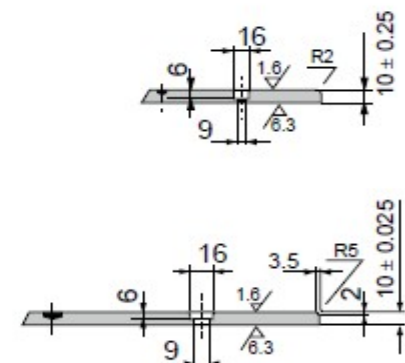
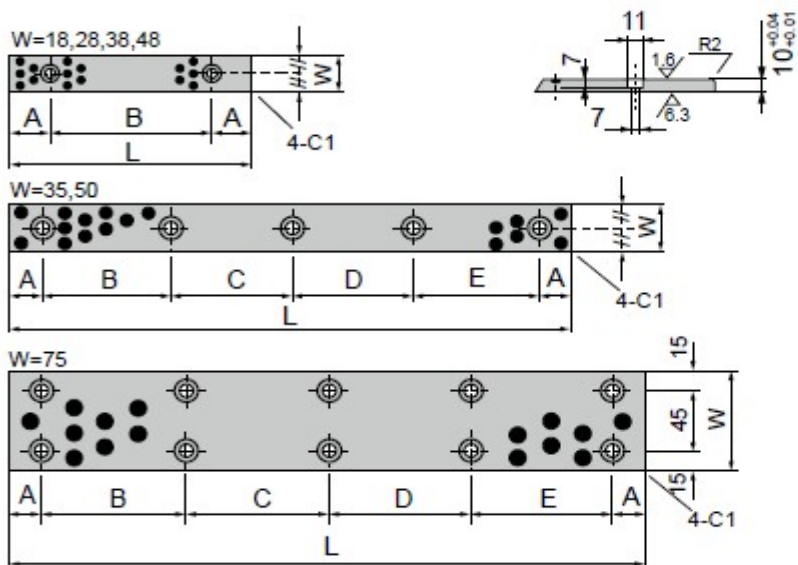


DNB-#50P10 滑板



请从适用的厚度、宽度、长度中选择零件号
 (例) 厚度10mm、宽度18mm、长度75mm的情况下

Ordering Code (example) DNB-#50P10-1875

Unit: mm

Parts No. 型号	宽度WIDTH	长度 LENGTH	A	B	C	D	E	平头螺钉	数量
	W	L							
#50P10-1875	18	75	15	45	-	-	-	M6	2
#50P10-18100	18	100	25	60	-	-	-	"	"
#50P10-18125	18	125	"	75	-	-	-	"	"
#50P10-18150	18	150	"	100	-	-	-	"	"
#50P10-2875	28	75	15	45	-	-	-	"	"
#50P10-28100	28	100	25	50	-	-	-	"	"
#50P10-28125	28	125	"	75	-	-	-	"	"
#50P10-28150	28	150	"	100	-	-	-	"	"

#50P10-35100	35	100	20	60	-	-	-	M8	"
#50P10-35150	35	150	"	55	55	-	-	"	3
#50P10-35200	35	200	"	55	50	55	-	"	4
#50P10-35250	35	250	"	70	70	70	-	"	4
#50P10-35300	35	300	"	65	65	65	65	"	5
#50P10-35350	35	350	"	80	75	75	80	"	5
#50P10-3875	38	75	15	45	-	-	-	M6	2
#50P10-38100	38	100	25	50	-	-	-	"	"
#50P10-38125	38	125	"	75	-	-	-	"	"
#50P10-38150	38	150	"	100	-	-	-	"	"
#50P10-4875	48	75	15	45	-	-	-	"	"
#50P10-48100	48	100	25	50	-	-	-	"	"
#50P10-48125	48	125	"	75	-	-	-	"	"
#50P10-48150	48	150	"	100	-	-	-	"	"
#50P10-50100	50	100	20	60	-	-	-	M8	"
#50P10-50150	50	150	"	55	55	-	-	"	3
#50P10-50200	50	200	"	55	50	55	-	"	4
#50P10-50250	50	250	"	70	70	70	-	"	4
#50P10-50300	50	300	"	65	65	65	65	"	5
#50P10-50400	50	400	"	90	90	90	90	"	5
#50P10-75150	75	150	"	110	-	-	-	"	4
#50P10-75200	75	200	"	80	80	-	-	"	6
#50P10-75250	75	250	"	105	105	-	-	"	6
#50P10-75300	75	300	"	85	90	85	-	"	8
#50P10-75400	75	400	"	120	120	120	-	"	8
#50P10-75500	75	500	"	115	115	115	115	"	10