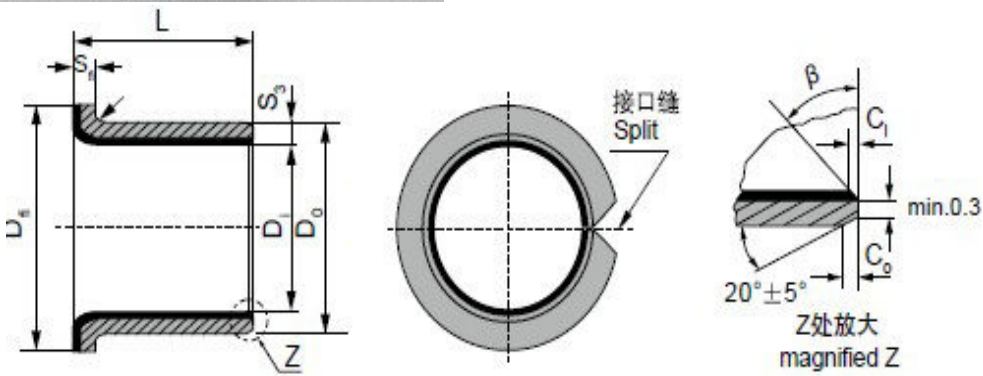


MP10F 法兰轴套



内外倒角 ID and OD chamfers

Unit : mm Unit:mm

轴径 (f7) Shaft D ₀	座孔 (H7) Housing D _H	(OD) 外径公差 Tolerance D ₀	压装后内孔 After fixed D _{i,a}	配合间隙 Clearance C ₀	型号 Part No.	Wall	尺寸 Dimension				
						thickness	D _i	D _o	D _{fi} ± 0.5	L±0.25	S _{fi-0.2}
						壁厚					
6 ^{-0.013} -0.028	8 ^{+0.015}	8 ^{+0.055} +0.025	6.055 5.990	0.077 0.000	MP10F-06040	1.005 0.980	6	8	12	4	1
6 "	8 "	8 "	"	"	MP10F-06070	"	"	"	"	7	"
8 ^{-0.013} -0.028	10 ^{+0.015}	10 ^{+0.055} +0.025	8.055 7.990	0.083 0.003	MP10F-08055	"	8	10	15	5.5	"
8 "	10 "	10 "	"	"	MP10F-08075	"	"	"	"	7.5	"
10 ^{-0.016} -0.034	12 ^{+0.018}	12 ^{+0.055} +0.025	10.058 9.990	0.086 0.003	MP10F-10070	"	10	12	18	7	"
10 "	12 "	12 "	"	"	MP10F-10090	"	"	"	"	9	"
10 "	12 "	12 "	"	"	MP10F-10120	"	"	"	"	12	"
12 ^{-0.016} -0.034	14 ^{+0.018}	14 ^{+0.065} +0.030	12.058 11.990	0.092 0.006	MP10F-12070	"	12	14	20	7	"
12 "	14 "	14 "	"	"	MP10F-12090	"	"	"	"	9	"
12 "	14 "	14 "	"	"	MP10F-12120	"	"	"	"	12	"

15 ^{-0.016} -0.034	17 ^{+0.018}	17 ^{+0.065} +0.030	14.058 13.990	"	MP10F-14120	"	14	16	22	12	"
14 "	16 "	16 "	"	"	MP10F-14170	"	"	"	"	17	"
15 ^{-0.016} -0.034	17 ^{+0.018}	17 ^{+0.065} +0.030	15.058 14.990	"	MP10F-15090	"	15	17	23	9	"
15 "	17 "	17 "	"	"	MP10F-15120	"	"	"	"	12	"
15 "	17 "	17 "	"	"	MP10F-15170	"	"	"	"	17	"
16 ^{-0.016} -0.034	18 ^{+0.018}	18 ^{+0.065} +0.030	16.058 17.990	"	MP10F-16120	"	16	18	24	12	"
16 "	18 "	18 "	"	"	MP10F-16170	"	"	"	"	17	"
18 ^{-0.016} -0.034	20 ^{+0.021}	20 ^{+0.075} +0.035	18.061 17.990	0.095 0.006	MP10F-18120	"	18	20	26	12	"
18 "	20 "	20 "	"	"	MP10F-18170	"	"	"	"	17	"
18 "	20 "	20 "	"	"	MP10F-18200	"	"	"	"	20	"
20 ^{-0.020} -0.041	23 ^{+0.021}	23 ^{+0.075} +0.035	20.071 19.990	0.112 0.010	MP10F-20115	1.505 1.475	20	23	30	11.5	1.5
20 "	23 "	23 "	"	"	MP10F-20165	"	"	"	"	16.5	"
20 "	23 "	23 "	"	"	MP10F-20215	"	"	"	"	21.5	"
22 ^{-0.020} -0.041	25 ^{+0.021}	25 ^{+0.075} +0.035	22.071 21.990	"	MP10F-22150	"	22	25	32	15	"
22 "	25 "	25 "	"	"	MP10F-22200	"	"	"	"	20	"
25 ^{-0.020} -0.041	28 ^{+0.021}	28 ^{+0.075} +0.035	25.071 24.990	"	MP10F-25115	"	25	28	35	11.5	"
25 "	28 "	28 "	"	"	MP10F-25165	"	"	"	"	16.5	"
25 "	28 "	28 "	"	"	MP10F-25215	"	"	"	"	21.5	"
30 ^{-0.025} -0.050	34 ^{+0.025}	34 ^{+0.075} +0.035	30.085 29.990	0.126 0.010	MP10F-30160	2.005 1.970	30	34	42	16	2
30 "	34 "	34 "	"	"	MP10F-30260	"	"	"	"	26	"
35 ^{-0.025} -0.050	39 ^{+0.025}	39 ^{+0.085} +0.045	35.085 34.990	0.135 0.015	MP10F-35160	"	35	39	47	16	"
35 "	39 "	39 "	"	"	MP10F-35260	"	"	"	"	26	"
40 ^{-0.025} -0.050	44 ^{+0.025}	44 ^{+0.085} +0.045	40.085 39.990	"	MP10F-40260	"	40	44	53	26	"
40 "	44 "	44 "	"	"	MP10F-40400	"	"	"	"	40	"